

# Fire and Smoke Spring Return Actuator FSLF24(-S) US



- Meet requirement of UL555(S) when tested as an assembly with suitable dampers
- Torque: 3.5Nm @ 177°C(350°F) for 30 minutes
- Running time: 15s
- Control: Open/Close

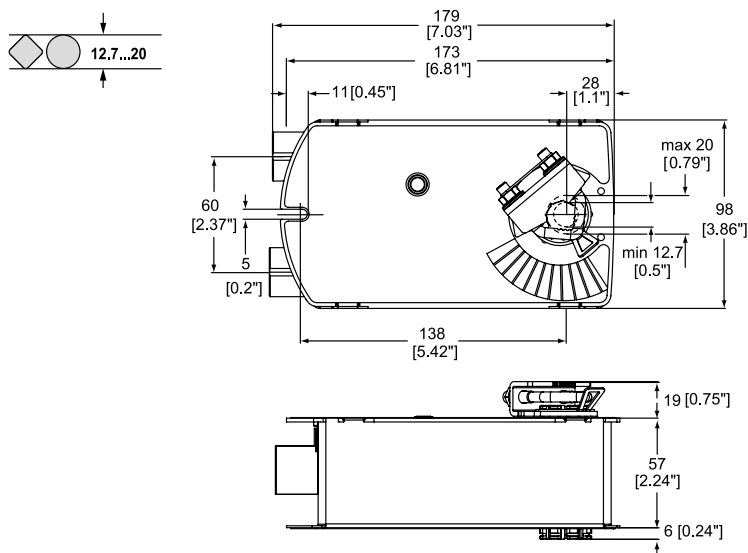


## Technical data

<b>Electrical data</b>	Nominal voltage	AC 24V 50/60Hz, DC 24V*	
	Nominal voltage range	AC 19.2...26.4V, DC 24...36V*	
	Power consumption	15VA @ running / 3.5VA @ holding	
	For transformer sizing	25VA	
	Fusing	1A slow blow	
	Connection	-Motor -Auxiliary Switch	1m, 18ga, 2 colour coded leads 1m, 18ga, 4 appliance leads 1/2" conduit connector
<b>Functional data</b>	Torque	3.5Nm (0°C to 177°C) @ nominal voltage	
	Direction of rotation	Selectable by CW/CCW installation	
	Angle of rotation	Max. 95°	
	Auxiliary switch	-FSLF24-S	2 SPST, 1mA @ DC 5V, 3(0.5)A, 120/250V □ fixed at 10°↖, 85°↗
	Running time	-Motor -Spring Return	<15s at rated voltage and torque <15s
	Position indicator		Mechanical
<b>Safety</b>	Protection class	Class 2 supply	
	Degree of protection	IP30 / NEMA type 1	
	Mode of operation	Type 1.AA.B	
	Ambient temperature	-Normal Duty -Safety Duty	0...+50°C 3 Open/Close cycles after 1/2hr @177°C
	Storage temperature		-40...+80°C
	Humidity test		95% RH, non-condensing
<b>Dimensions / weight</b>	Maintenance		Maintenance-free
	Dimensions (L x M x H)		179 x 98 x 82mm
	Shaft diameter		12.7...20mm**
	Weight	-FSLF24 -FSLF24-S	Approx. 1.6kg Approx. 1.7kg
	Safety note		AC 24V: Connect via safety isolating transformer, class 2 supply

\* Filtered and regulated DC 24V power supplies is needed.  
\*\* For damper spindles ø16...20mm, use K6-1

## Dimensions [mm/inches]



- Meet requirement of UL555(S) when tested as an assembly with suitable dampers
- Torque: 3.5Nm @ 177°C(350°F) for 30 minutes
- Running time: 15s
- Control: Open/Close
- 1 wire control

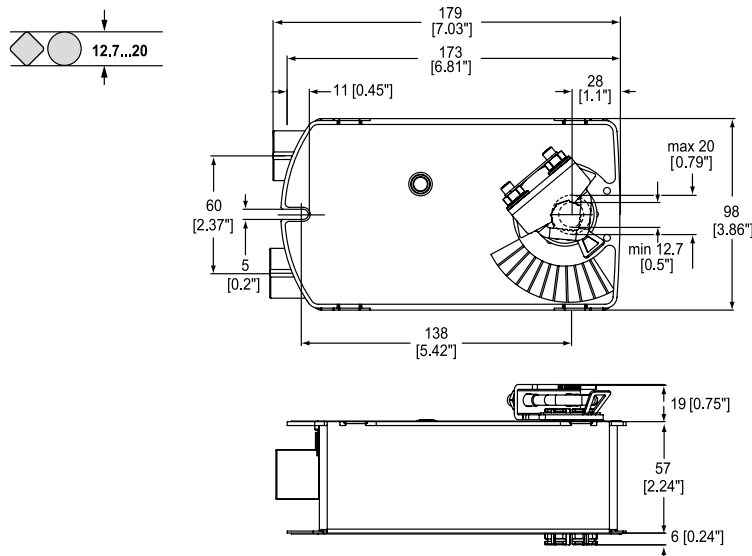


### Technical data

<b>Electrical data</b>	Nominal voltage	AC 230V 50/60Hz
	Nominal voltage range	AC 207...253V
	Power consumption	17VA @ running / 6.5VA @ holding
	Fusing	0.125A slow blow
	Connection	-Motor 1m, 18ga, 3 colour coded leads -Auxiliary Switch 1m, 18ga, 4 appliance leads 1/2" conduit connector
<b>Functional data</b>	Torque	3.5Nm (0°C to 177°C) @ nominal voltage
	Direction of rotation	Selectable by CW/CCW installation
	Angle of rotation	Max. 95°
	Auxiliary switch	-FSLF230-S 2 SPST, 1mA @ DC 5V, 3(0.5)A, 120/250V <input type="checkbox"/> fixed at 10°↙, 85°↘
	Running time	-Motor <15s at rated voltage and torque -Spring Return <15s
<b>Safety</b>	Position indicator	Mechanical
	Protection class	Grounded enclosure
	Degree of protection	IP30 / NEMA type 1
	Mode of operation	Type 1.AA.B
	Agency listed	cULus acc. to UL60730-1A/-2-14, CAN/CSA E60730-1, CSA C22.2 No. 24-93
	Ambient temperature	-Normal Duty 0...+50°C -Safety Duty 3 Open/Close cycles after 1/2hr @177°C
	Storage temperature	-40...+80°C
	Humidity test	5...95% RH, non-condensing
	Maintenance	Maintenance-free
	<b>Dimensions / weight</b>	Dimensions (L x M x H)
Shaft diameter		12.7...20mm*
Weight		-FSLF230 Approx. 1.8kg -FSLF230-S Approx. 1.95kg

\* For damper spindles ø16...20mm, use K6-1

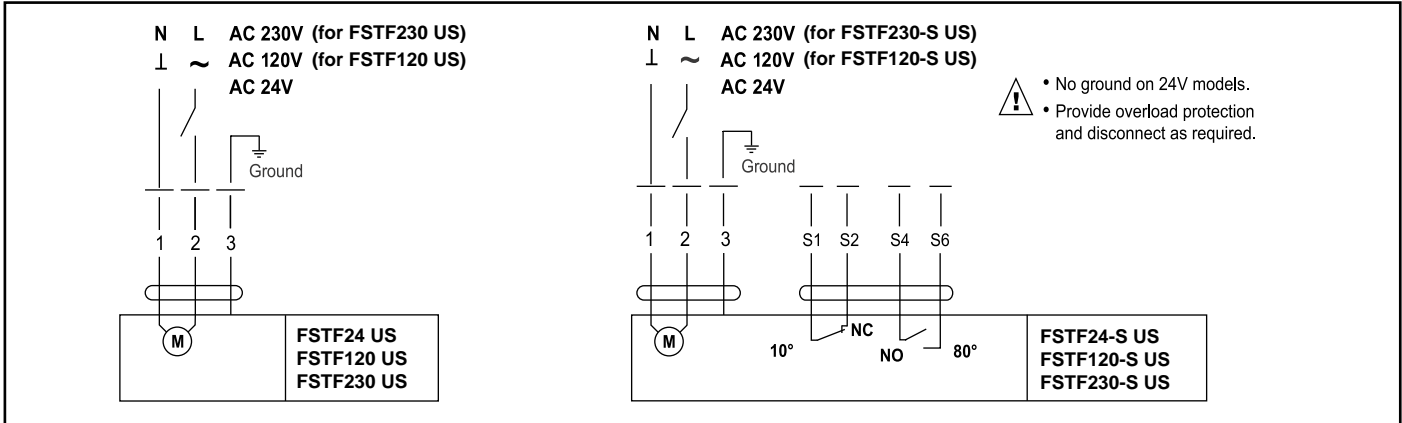
### Dimensions [mm/inches]



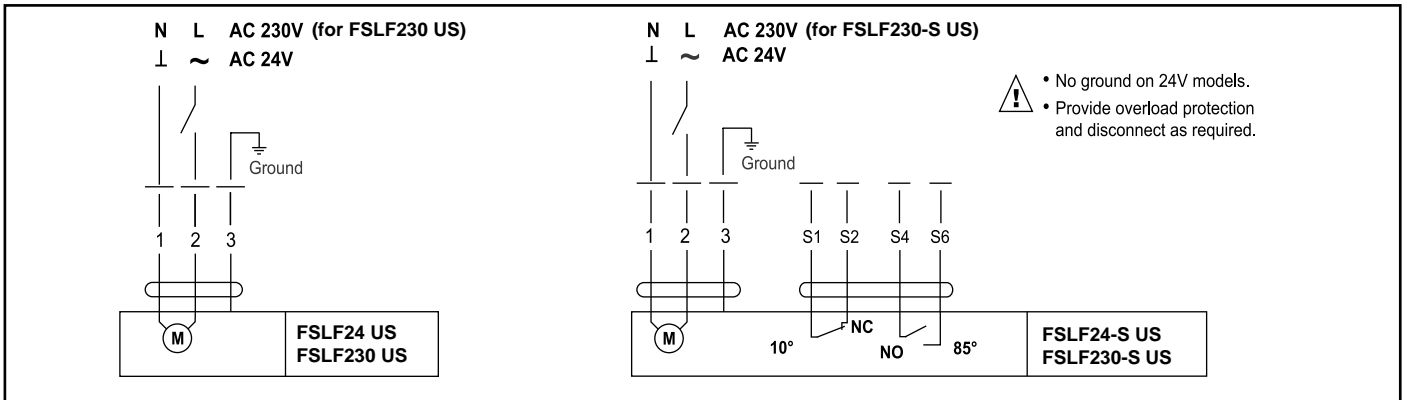
Wiring diagram: FS.. Series Fail-Safe Open/Close Actuators

Notes:

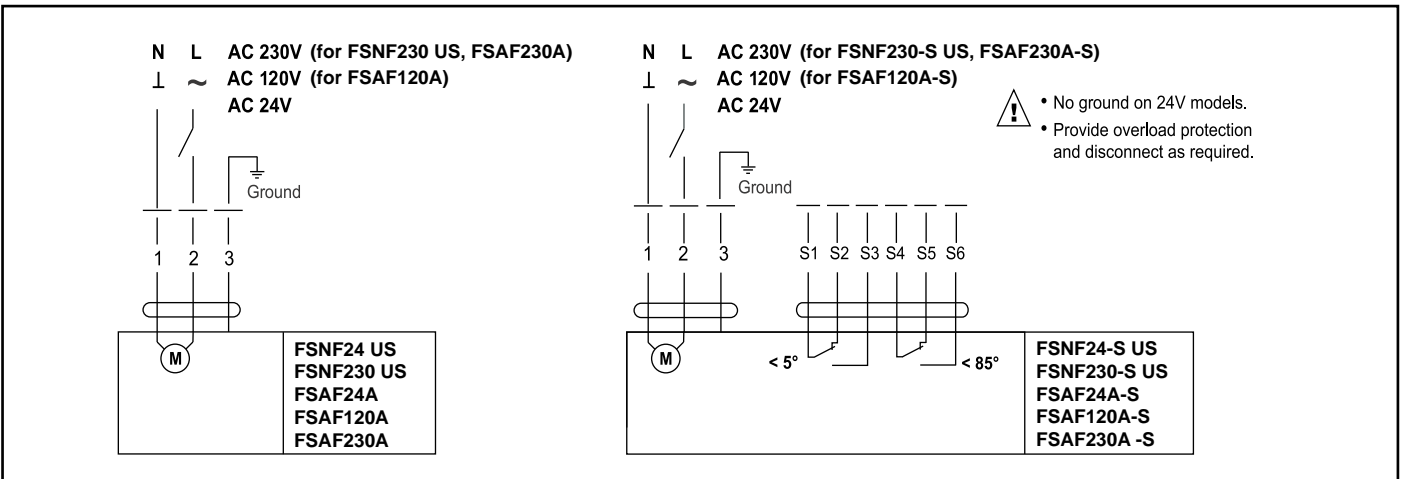
- Parallel connection of several actuators is possible.
- Power consumption must be observed.



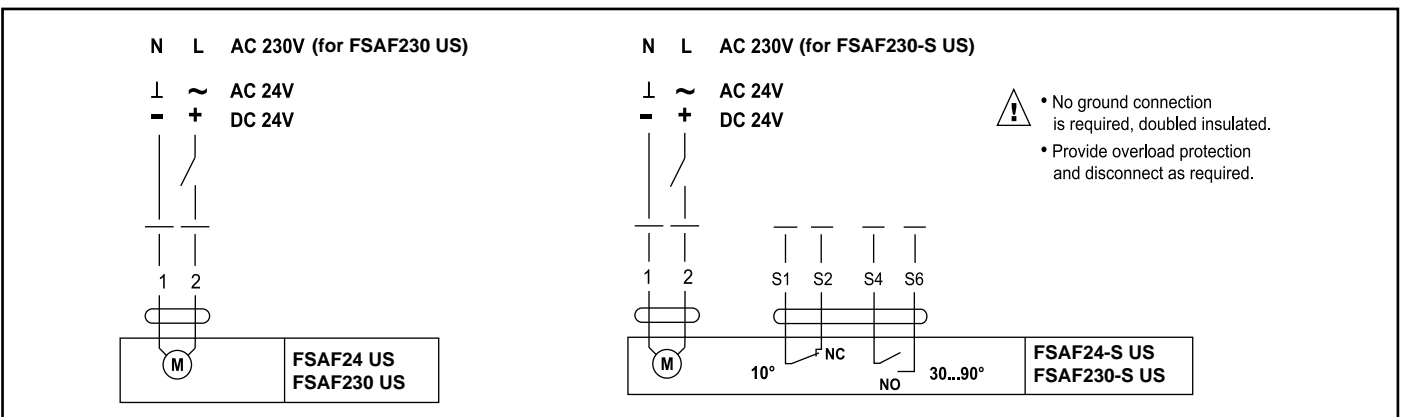
- ⚠ No ground on 24V models.
- Provide overload protection and disconnect as required.



- ⚠ No ground on 24V models.
- Provide overload protection and disconnect as required.



- ⚠ No ground on 24V models.
- Provide overload protection and disconnect as required.



- ⚠ No ground connection is required, doubled insulated.
- Provide overload protection and disconnect as required.